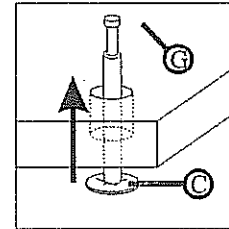
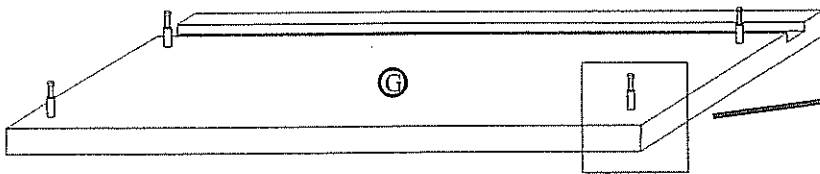
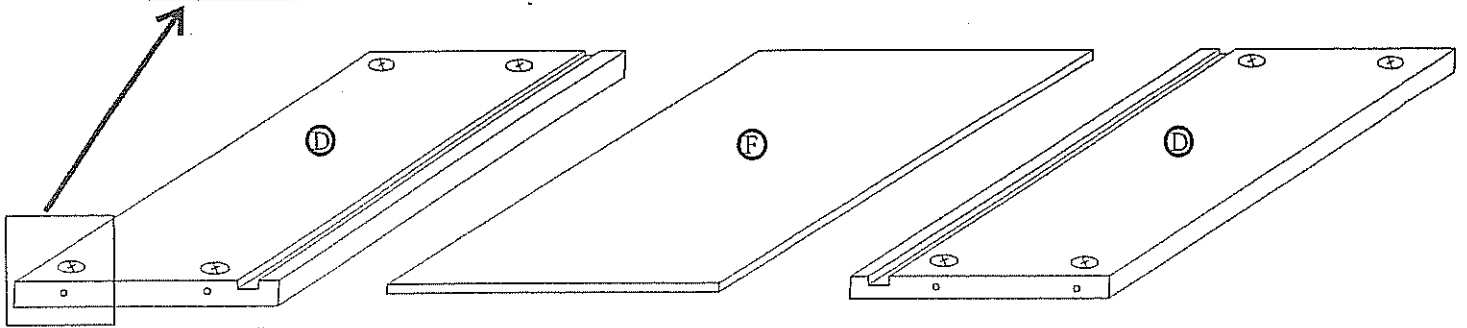
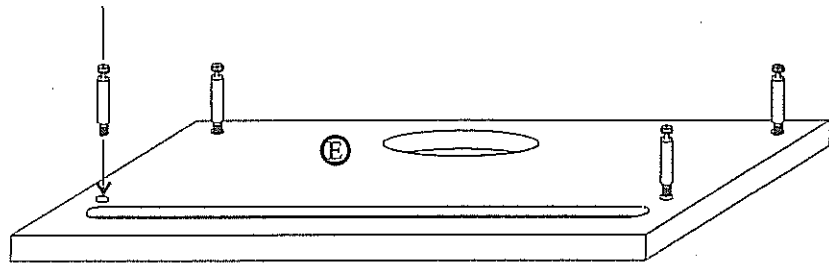
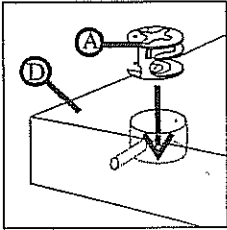
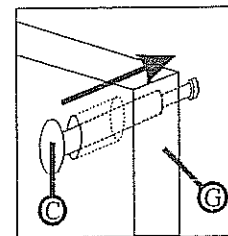
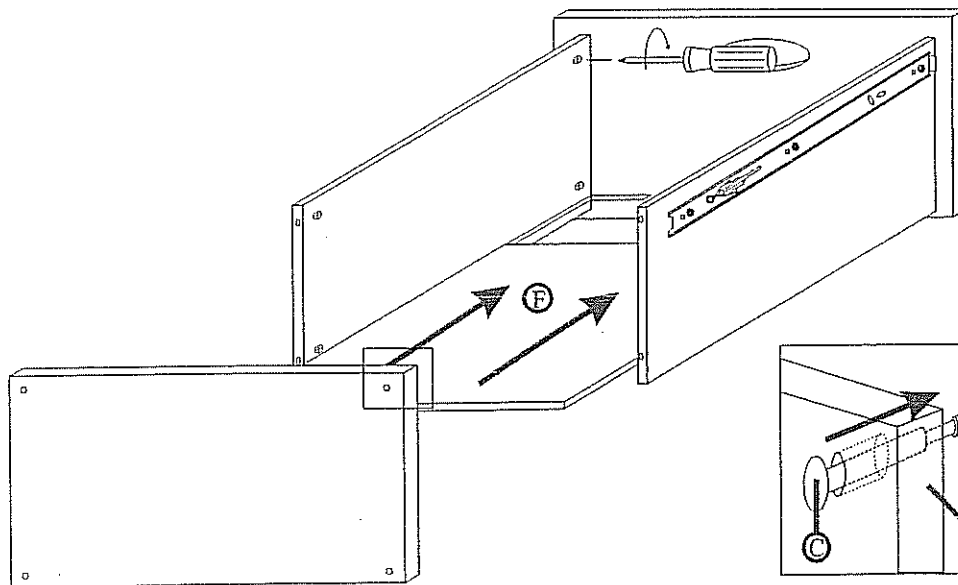
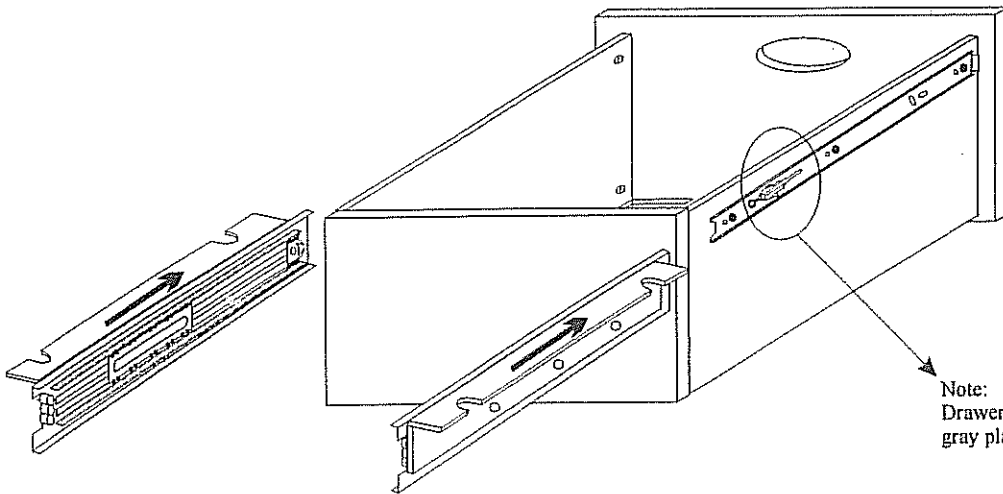
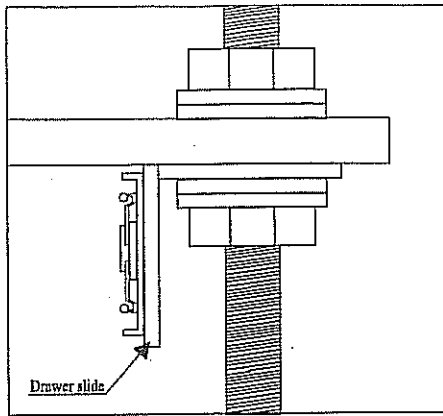


Place cam lock (B) into drawer sides (D)



Turn cams clockwise about 1/2 a turn to lock the panels together.





Note:
Drawer may be removed from the slides by depressing the gray plastic levers.

LIMITED WARRANTY

For five years Salamander Designs Ltd. will repair or replace at our option, any product defective in materials or craftsmanship, Salamander Designs Ltd. will not be responsible for any damage to or destruction of other equipment consequential to our equipment failure. Defective product must be given Return Authorization and is to be returned to the factory prepaid, in the original carton and packing material. Any damage incurred in the shipment not in original packing shall be the responsibility of the owner. Warranty repairs will be returned to the owner prepaid, via UPS within the continental U.S.A. only.

Salamander Designs Ltd.
(860) 313-0525