



# **marantz®** Network Integrated Amplifier **PM700N**

## **Quick Start Guide**

Guide de démarrage rapide /  
Guía de inicio rápido

## **Read Me First....**

Lisez-moi en premier.... /  
Lea esto primero....

ENGLISH

FRANÇAIS

ESPAÑOL

# Welcome

Thank you for choosing a Marantz network integrated amplifier. This guide provides step-by-step instructions for setting up your network integrated amplifier.

**Please do not return this unit to the store – call for assistance.**

**If you need help... :**

If you need additional help in solving problems, contact Marantz customer service in your area.

## 1-855-ONE-Marantz

1-855-663-6272

Call for Assistance:

Monday – Friday 10:00AM to 10:00PM E.S.T.

Saturday 12:00PM to 8:00PM E.S.T




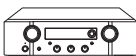
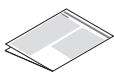
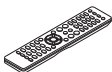
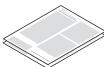
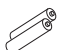

For frequently asked questions please visit

<http://marantz.custhelp.com/app/answers/list>

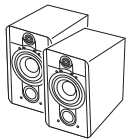
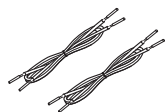

For US and Canada only

# Before You Begin

## What's In the Box

Quick Start Guide		Power cord	
Safety Instructions		Network Integrated Amplifier	
Notes on radio		Remote control unit (RC004PM)	
Warranty (for USA/for CANADA)		R03/AAA batteries	
		External antennas for Bluetooth/wireless connectivity	

## Required for Setup

		
Speaker systems	Speaker cables	Router

## Optional



- These drawings are for illustrative purposes only and may not represent the actual product(s).

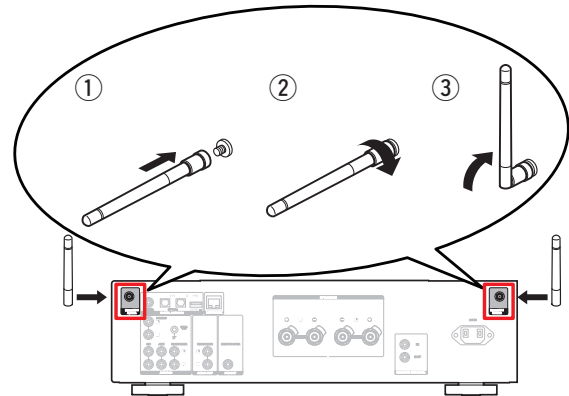
# Important: External Antennas

The removable external antennas are required for both Bluetooth and Wireless network connectivity. Please make sure to connect the antennas before attempting to use the Bluetooth or Wi-Fi features of the PM7000N.

## ❑ Connecting the external antennas for Bluetooth / Wireless connectivity

For each of the two antennas:

- ① Place the antenna evenly over the antenna terminal located at the upper left or right corner of the rear panel.
- ② Turn the antenna clockwise until it is fully connected. Do not over tighten.
- ③ Rotate the antenna upwards for the best possible reception.

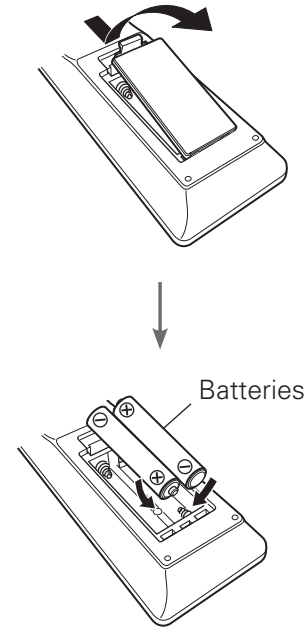


# Setup

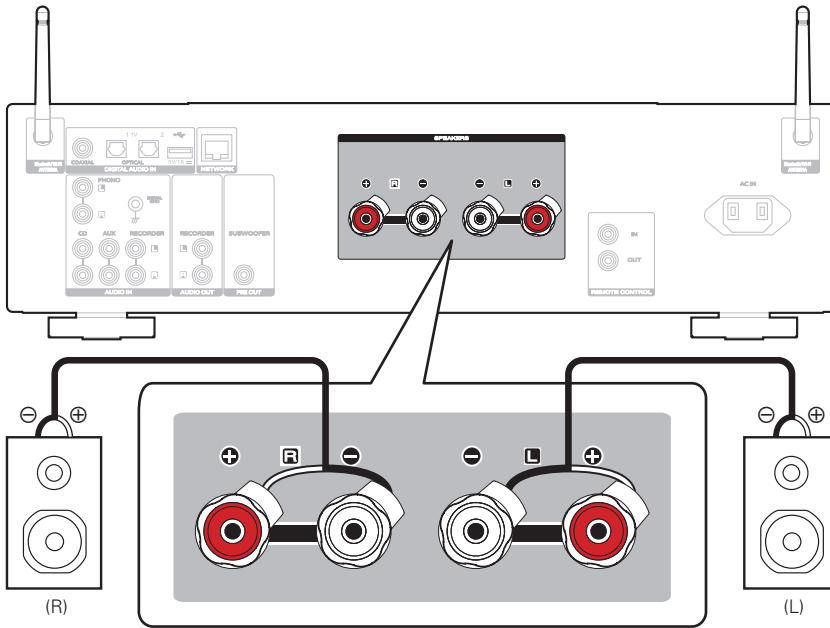
There are six steps to the setup process.

- 1** Installing batteries in the remote control unit
- 2** Connect the speakers to the amplifier
- 3** Plug the power cord into a power outlet
- 4** Connect to the network
- 5** Enjoying your music!
- 6** Download the HEOS App

## 1 Installing batteries in the remote control unit

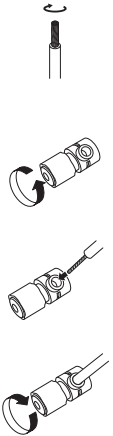


## 2 Connect the speakers to the amplifier

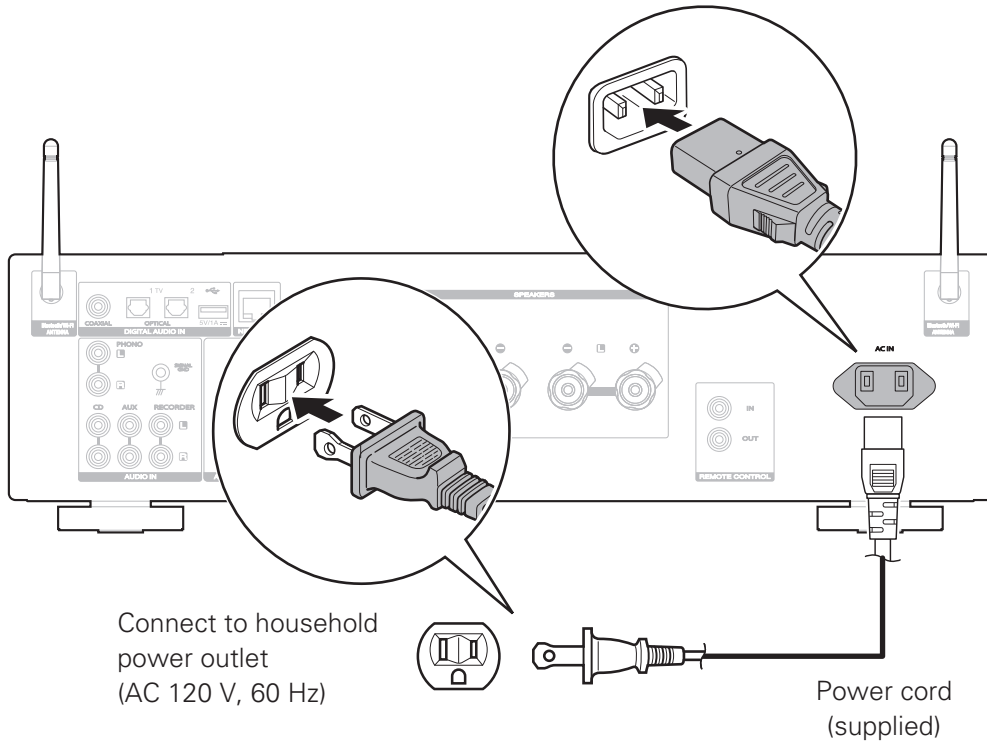


### Connecting the speaker cables

- ① Peel off about 3/8 inch (10 mm) of sheathing from the tip of the speaker cable, then either twist the core wire tightly or apply solder to it.
- ② Turn the speaker terminal counterclockwise to loosen it.
- ③ Insert the speaker cable's core wire to all the way into the speaker terminal.
- ④ Turn the speaker terminal clockwise to tighten it.



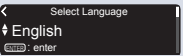

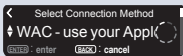



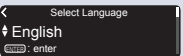

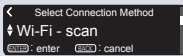




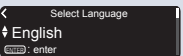





### 3 Plug the power cord into a power outlet



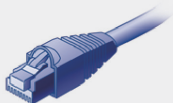
# 4 Connect to the network

Choose from one of the following options.

Option	Step 1	Step 2	Step 3
<b>Wireless</b>  iOS device iOS version 7 or later  	<b>1</b> Power on. 	<b>2</b> Select language. (After selecting a language, please be patient while the network settings initialize. Expect to wait a few minutes.)  	<b>3</b> Make sure your iOS device is connected to your Wi-Fi Network. Select the network named "Marantz PM7000N" from the Settings/Wi-Fi screen on your device.  
Router without WPS button    Wi-Fi router	<b>1</b> Power on. 	<b>2</b> Select language. (After selecting a language, please be patient while the network settings initialize. Expect to wait a few minutes.)  	<b>3</b> Select "Wi-Fi - scan" and wait as your PM7000N looks for available networks.  
WPS router     Wi-Fi router	<b>1</b> Power on. 	<b>2</b> Select language. (After selecting a language, please be patient while the network settings initialize. Expect to wait a few minutes.)  	<b>3</b> Select "WPS Router".  



## Wired



- 1 Connect a network cable between your PM7000N and your router.  
(cable not included)



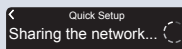
- 2 Power on.
- 3 Select language.
- 4 Please wait while your PM7000N connects to your wired network.

**Connected!**

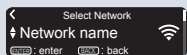
- 4 Follow the instructions and tap Next.



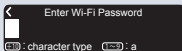
- 5 Please wait as completing the connection can take a few minutes.  
(The front panel of the PM7000N will show the status of the connection.)



- 4 Select your network name.  
(If your network name is not listed, select "Rescan".)

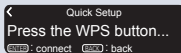


- 5 Enter your network password using the number keys on the remote control.

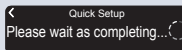


**Wi-Fi  
Connected!**

- 4 Press the WPS button on your router. Within 2 minutes, press the ENTER button.



- 5 Please wait as completing the connection can take a few minutes.  
(The front panel of the PM7000N will show the status of the connection.)



Press the ENTER button.

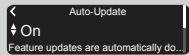


If the signal strength of your wireless network is weak, to improve reception, please turn the antenna on the back of your PM7000N or move your router to the PM7000N.

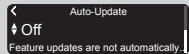
## Auto-Update Setting

- 1 Turns on Auto-Update so that future updates are automatically downloaded and installed when your PM7000N is in standby mode.

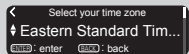
Select "On" to turn on Auto-Update.



Select "Off" to turn off Auto-Update.



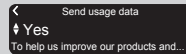
- 2 Sets the time zone that matches the area where you live.



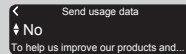
## Usage Data Setting

To help us improve our products and customer service, Marantz collects anonymous information about how you use your PM7000N. Marantz will never provide any information we collect to third parties.

Select "Yes" to provide information on the operating status of this unit.



Select "No" to not provide information on the operating status of this unit.



**Setup Complete!**



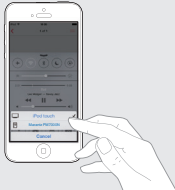
## 5 Enjoying your music!

### ❑ Enjoying Internet Radio

- 1 Press **INTERNET RADIO**.
- 2 Select the station you want to play, then press **ENTER**.
- 3 Select **"Play Now"**, then press **ENTER**.



### ❑ Enjoying music using Apple AirPlay

- 1 Open Control Center (iOS 7 and later) by swiping up from the bottom of your screen, then tap AirPlay.  
[Example] iOS 12   
[Example] iOS 9 
- 2 Select the "Marantz PM7000N" from the AirPlay Device list.  

- 3 Play the song on your iPhone, iPod touch or iPad.

## ❑ Enjoying music using Bluetooth

1

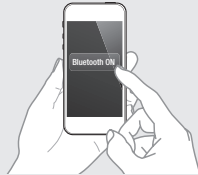
### Press Bluetooth to select Bluetooth.

When using for the first time, the unit will go into the pairing mode automatically and “Bluetooth Pairing Mode” will appear on the display of the unit.



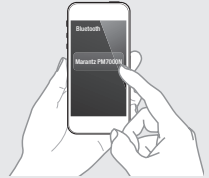
2

### Activate Bluetooth on your mobile device.



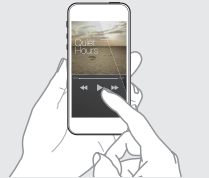
3

### Select “Marantz PM7000N” from the Bluetooth device list on your mobile device.



4

### Play music using any app on your device.



- To pair with other Bluetooth devices, press and hold Bluetooth on the remote control until “Bluetooth Pairing Mode” is displayed on the unit.

## 6 Download the HEOS App

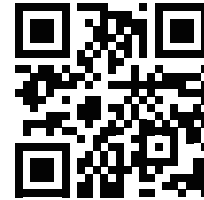


The HEOS App lets you control your PM7000N from anywhere in your home. Use HEOS to explore, browse, and play music from many online streaming services or from your own music library.



## Owner's Manual

- For more information, visit [www.marantz.com](http://www.marantz.com)
- Refer to the Online Manual for other functions information and operation procedure details. [manuals.marantz.com/PM7000N/NA/EN/](http://manuals.marantz.com/PM7000N/NA/EN/)



Online Manual



**[www.marantz.com](http://www.marantz.com)**

You can find your nearest authorized distributor or dealer on our website.

**marantz**<sup>®</sup> is a registered trademark.