

# CSS230

## SUPER SLIM IN CEILING SPEAKER

INSTALLATION GUIDE

GUIDE PRODUIT & INSTALLATION

MANUALE DEL PRODOTTO E DI INSTALLAZIONE

PRODUKT- UND INSTALLATIONSHANDBUCH

GUÍA DE INSTALACIÓN Y DEL PRODUCTO

GUIA DO PRODUTO E INSTALAÇÃO

PRODUCT- EN INSTALLATIEHANDLEIDING

产品和安装指南

РУКОВОДСТВО ПО УСТАНОВКЕ И ЭКСПЛУАТАЦИИ

インスタレーションガイド

دليل التركيب



## Introduction

The new Super-Slim speaker has been specifically developed for applications where cavity depth is restricted. At only 50mm (2") deep, it's able to be fitted neatly into spaces where all other speakers would be prohibitive. Installation in construction featuring 2" studs or where pipework, cabling and AC ducts restrict the mounting, can be specified with confidence.

CSS-230 features sealed back box integrated into the speaker. CP enables a 'controlled performance' wherever it is installed and is not reliant on the specification or acoustic properties of the wall cavity or building materials. Some types of installations also require sound isolation to reduce acoustic transmission between rooms, particularly in the case of residential apartments. Whilst a major benefit, the small back box has restricted air volume restricting bass output in applications where full range sound is required. As a solution, we have designed a hybrid system comprising all the benefits of CP, together with the flexibility of an open back design. A rubber plug can be removed easily to convert the speaker to perform as an open back design. The unit is protected against ingress of particles and building materials by a fine gauze

## Prior to Fitting the Super Slim In Ceiling Series Speakers

**CAUTION:** These Custom Install loudspeakers can only be fixed into plasterboard (dry-lined) or suspended ceilings/ walls with a thickness of up to 15mm (9/16"). Solid wall installation will require channelling out and frame work constructed to provide a structure for the Tri-Grip® dog legs to clamp to. For safety reasons, if you are unsure of your ability to provide a secure and safe fixing, do not attempt to fix these speakers, please obtain the services of a competent and qualified trades person.

**CAUTION:** Ensure that there are no water pipes or electricity cables running within the wall structure before cutting the speaker apertures. Work from secure steps and avoid trailing wires.

## Over Tightening Warning

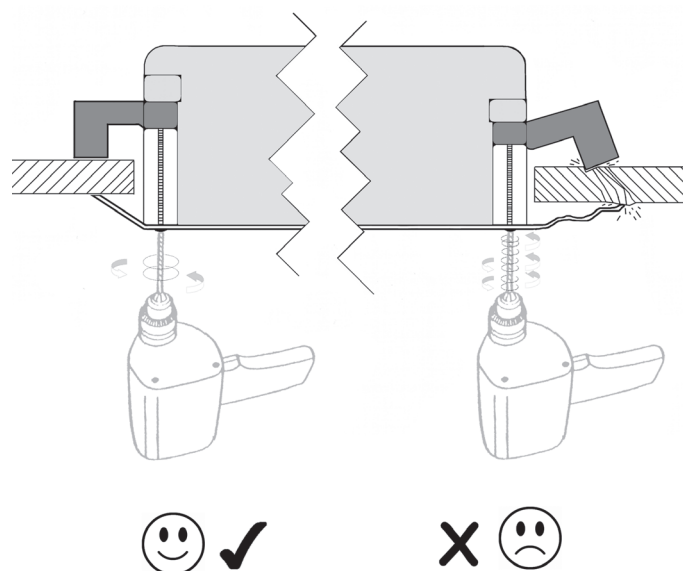
### Attention installers:

Do not over-tighten the Tri-Grip Dog Leg clamps. Over tightening the clamping mechanism on any in ceiling/ in wall speaker can result in damage to the speaker mounting hardware, ceiling/ wall or speaker frame, and/ or deflection in the speaker frame during installation.

If you notice any of the above during installation, you have over tightened the Tri-Grip dog leg. Back off the mounting screw until deflection is reduced to allow the product to sit firmly against the ceiling / wall.

**Do not exceed 5Kgf/cm (4.34 lbf/inch.) or 0.5 NM when tightening the Tri-Grip dog leg screws.**

**NOTE:** When are using a cordless screwdriver/ drill to install this product we recommend using it to just start off the process, then tighten it up by hand to avoid over-tightening and damaging the mounting hardware.



## Painting the Grilles

**NOTE:** If choosing to paint the grille, we recommend you follow these simple steps:

1. Remove the membrane scrim from the inside of the grille.
2. Paint all grilles required for the installation with the same batch of paint (if they are to be the same colour). Spray paint is easier to apply or use a stippling action when brushing to avoid blocking the holes of the grille.
3. When dry, attach the spare membrane scrim (supplied) into the inside of the grille.
4. Fit the grille to the speaker (s).

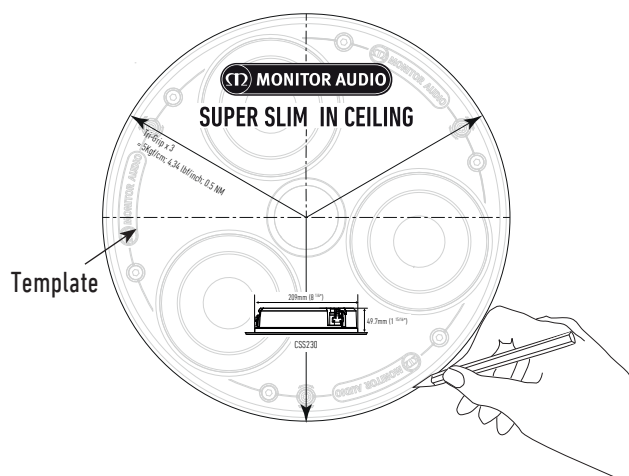
## Guarantee

Both the craftsmanship and the performance of this product is guaranteed against manufacturing defects for the period of **five** years from the date of purchase (see conditions in the Important Safety Instructions booklet), provided that the product was supplied by an authorised Monitor Audio retailer under the consumer sale agreement.

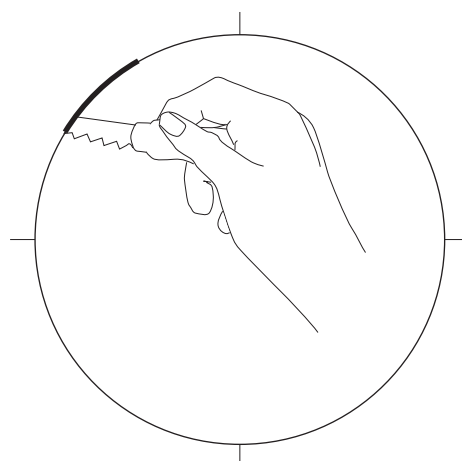
To verify your manufacturer's warranty, please visit the online registration form at: [www.monitoraudio.com](http://www.monitoraudio.com)

# Fitting the Super Slim In Ceiling Series Loudspeakers

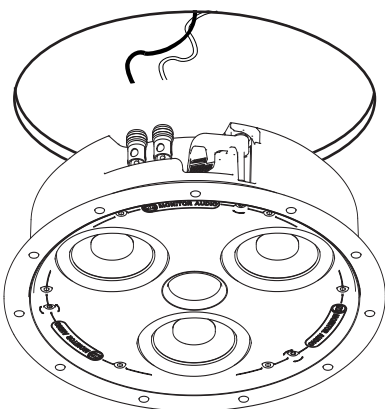
- 1** Draw around template and mark centre lines if necessary.



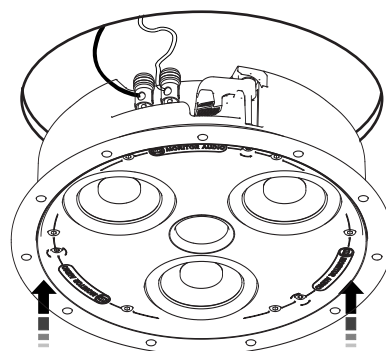
- 2** Cut around marked line.



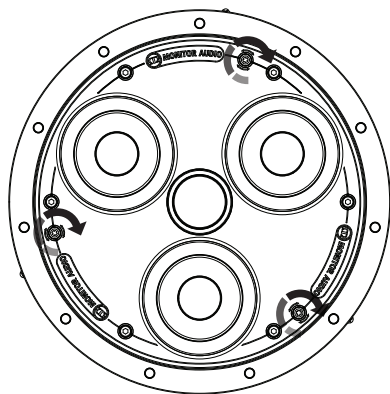
- 3** Connect speaker cables by pushing down on the terminals and clamping the bare wire in the through hole.



- 4** Guide speaker into cut out.

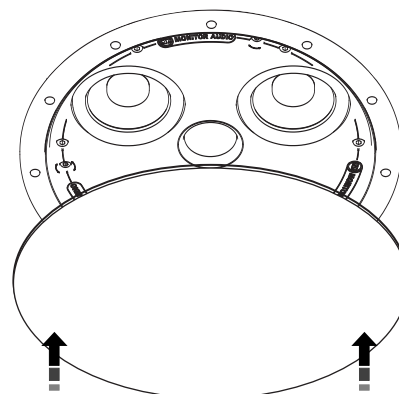


- 5** Tighten the 3 Tri-Grip screws



See over tightening warning.

- 6** Fit grilles. They are held in place magnetically and should 'snap' into place.



## In-Ceiling Specifications

	<b>CSS230</b>
<b>Frequency Response</b>	100Hz - 30kHz (Sealed 'CP') 85Hz - 30kHz (Open Back)
<b>Impedance</b>	8 Ohms
<b>Sensitivity (1W@1m)</b>	86dB
<b>Maximum SPL</b>	103.8dBA
<b>Power Handling (RMS)</b>	40W (Full Range) 60W (HPF set to 100Hz @ 12dB/Octave)
<b>Recommended Amp Requirements</b>	20 - 60W
<b>Drive Unit Complement</b>	3 x 3" C-CAM® Bass Driver. 1 x 3/4" (19mm) C-CAM® Gold Dome Tweeter
<b>Termination</b>	1 x (1 Pair) Gold Plated Push Style Terminals
<b>Overall Diameter (Including Grille)</b>	250mm (9 13/16")
<b>Overall Depth</b>	54mm (2 1/8")
<b>Cut Out Diameter</b>	210mm (8 5/16")
<b>Mounting Depth</b>	50mm (1 15/16")
<b>Fixing Type</b>	3 Position Tri Grip® Dog Leg Fixings
<b>Construction Material</b>	ABS (UL94 Rated, RoHS2 Compliant)
<b>Pre construction Bracket</b>	CB6 (Purple)
<b>Weight</b>	TBC
<b>Operating Temperature Range</b>	-34 - 79°C -29 - 174°F

Monitor Audio reserves the right to alter specifications without notice.

## Owner Information

### **Product Details**

Model: .....

Product Serial No: .....

Date of Purchase: .....

### **Dealer Details**

Dealer Name .....

Address .....

.....

E-mail address .....

Telephone Number .....



Monitor Audio Ltd.

24 Brook Road

Rayleigh, Essex

SS6 7XJ

England

Tel: +44 (0)1268 740580

Fax: +44 (0)1268 740589

Email: [info@monitoraudio.co.uk](mailto:info@monitoraudio.co.uk)

**Designed and Engineered in the United Kingdom**

**Made in China**

Version 1 2016